



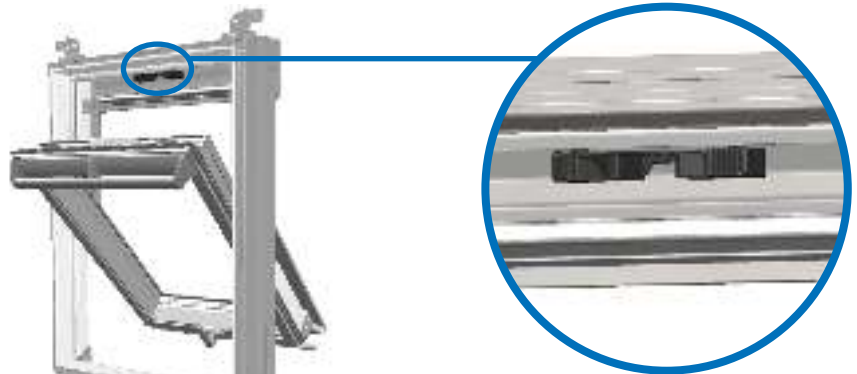
Keylite Blinds

Awning Installation

E: Sales@keyliteblinds.com T: UK: 01283 200 197 | NI: 028 8676 7515 | ROI: 048 8676 7515

Instructions

1



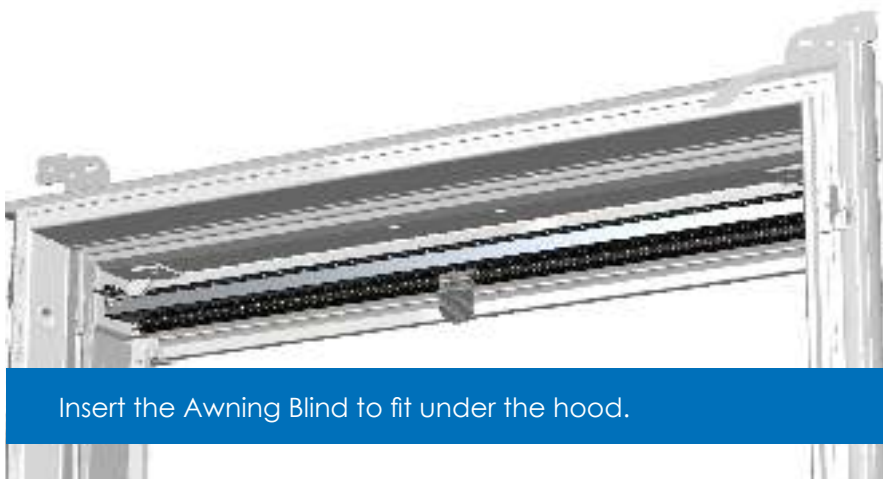
Open roof window to reveal the Latch Keep.

2



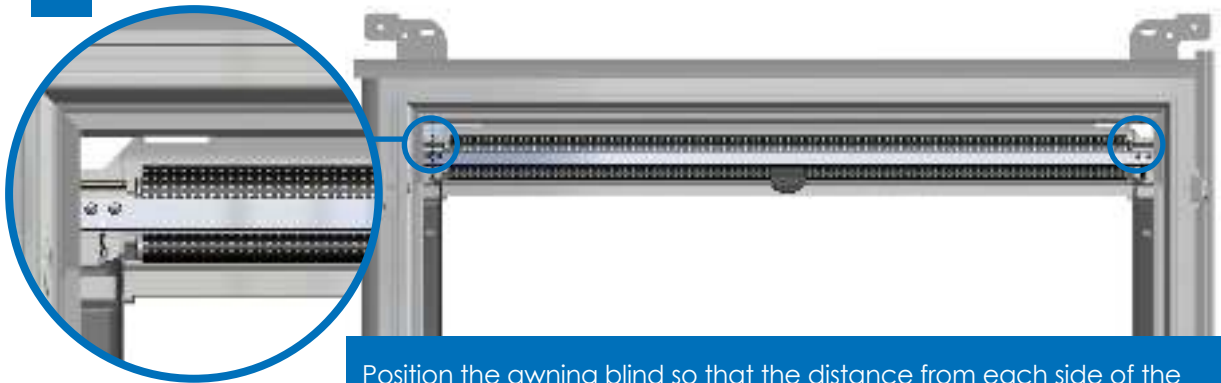
Remove the Latch Keep.

3



Insert the Awning Blind to fit under the hood.

4



Position the awning blind so that the distance from each side of the roof window is 1mm.

5a



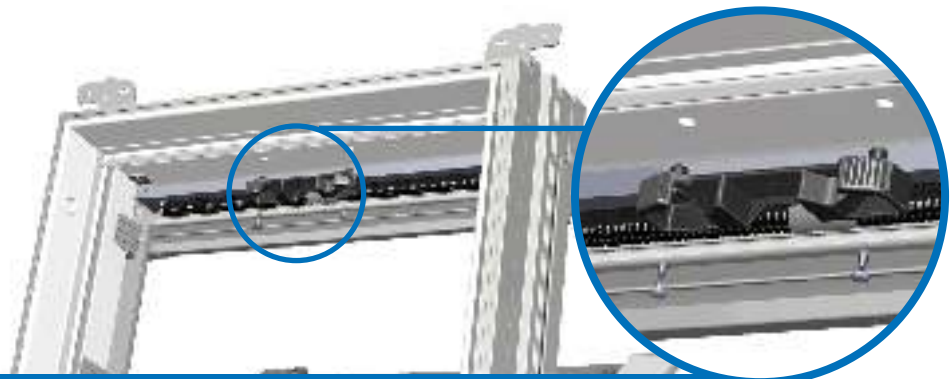
Centre Pivot Window - Ensure the frame of the awning blind is level with the edge of the PVC frame before screwing the brackets into place.

5b



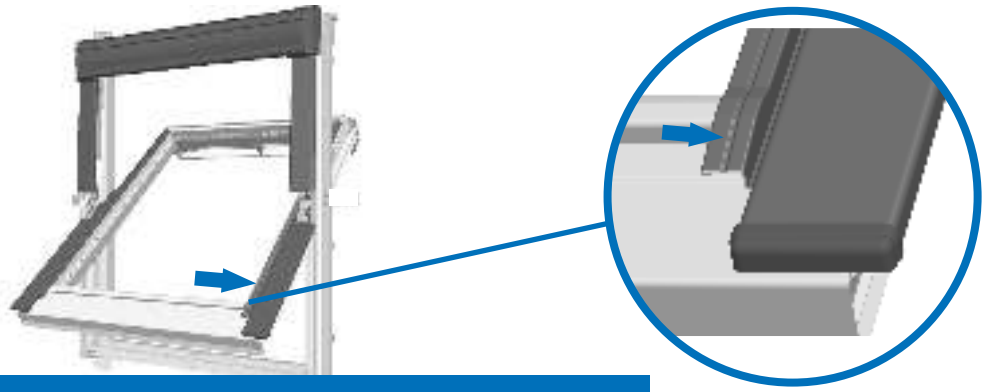
Top Hung Window - Use the metal arms to position the awning blind bracket before screwing into place.

6



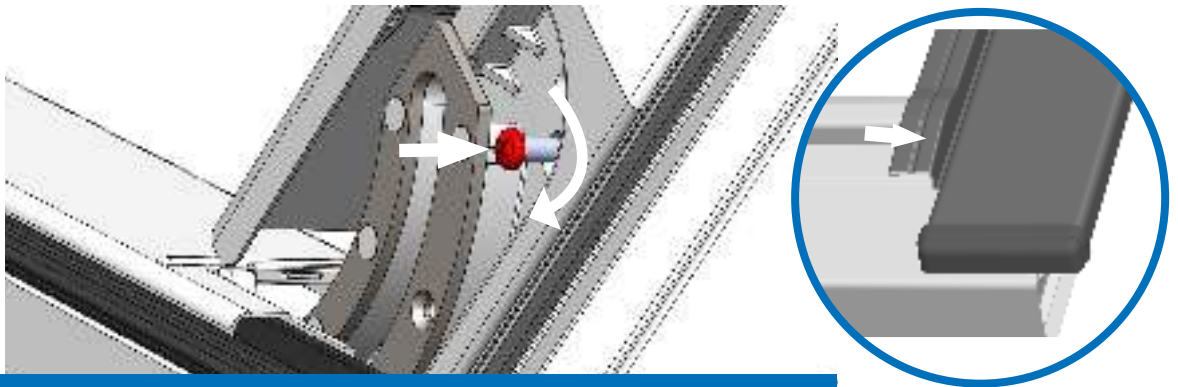
Reattach the Latch Keep.

7a



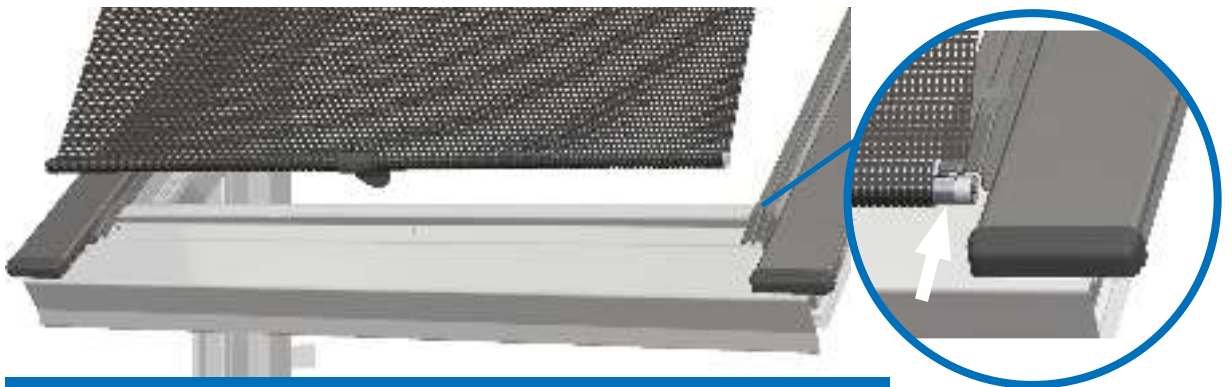
Centre Pivot Window - Open the roof window and locate the glazing border.

7b



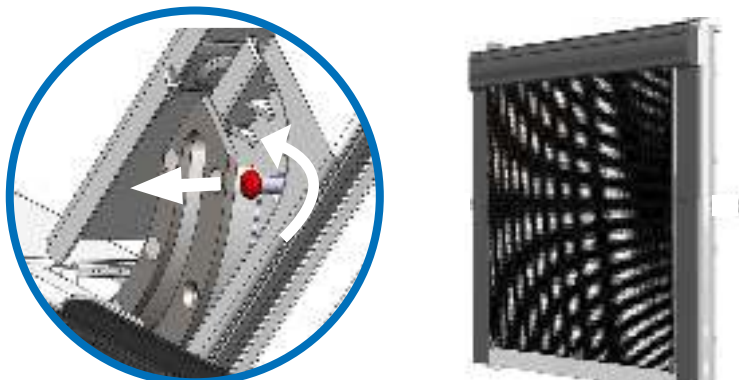
Top Hung Window - Re-insert the 2 x Red Bolts into the frame hinge. Open window via top handle and locate glazing border.

8



Extend the blind down to the glazing border and lock the feet under the glazing border on each side.

9



(Top Hung Window - Remove the 2 x Red Bolts from the frame hinges to return to Top Hung/Fire Escape operation.)
The awning is now ready to operate.